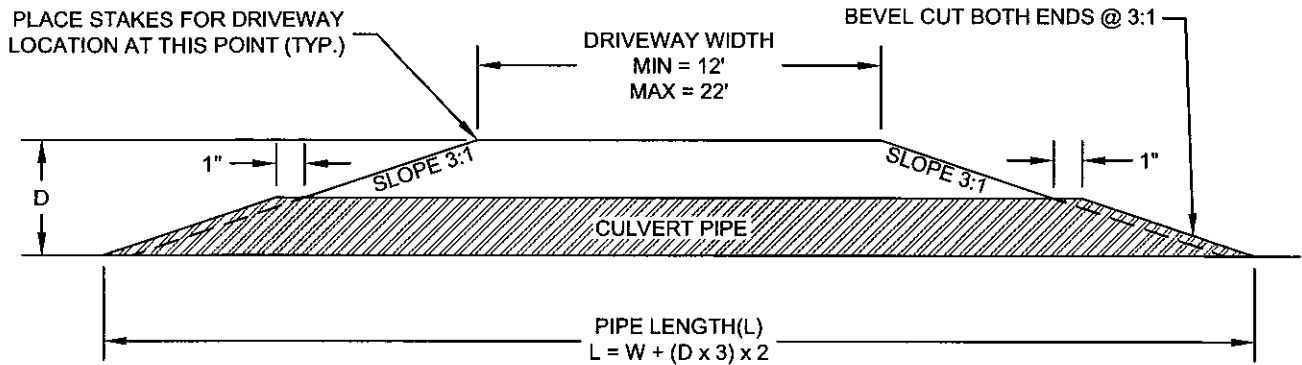


ALL WORK SHALL BE ACCOMPLISHED IN ACCORDANCE WITH THE LATEST EDITION OF THE WSDOT STANDARD SPECIFICATIONS FOR ROAD, BRIDGE, AND MUNICIPAL CONSTRUCTION

CULVERT PIPE INSTALLATION

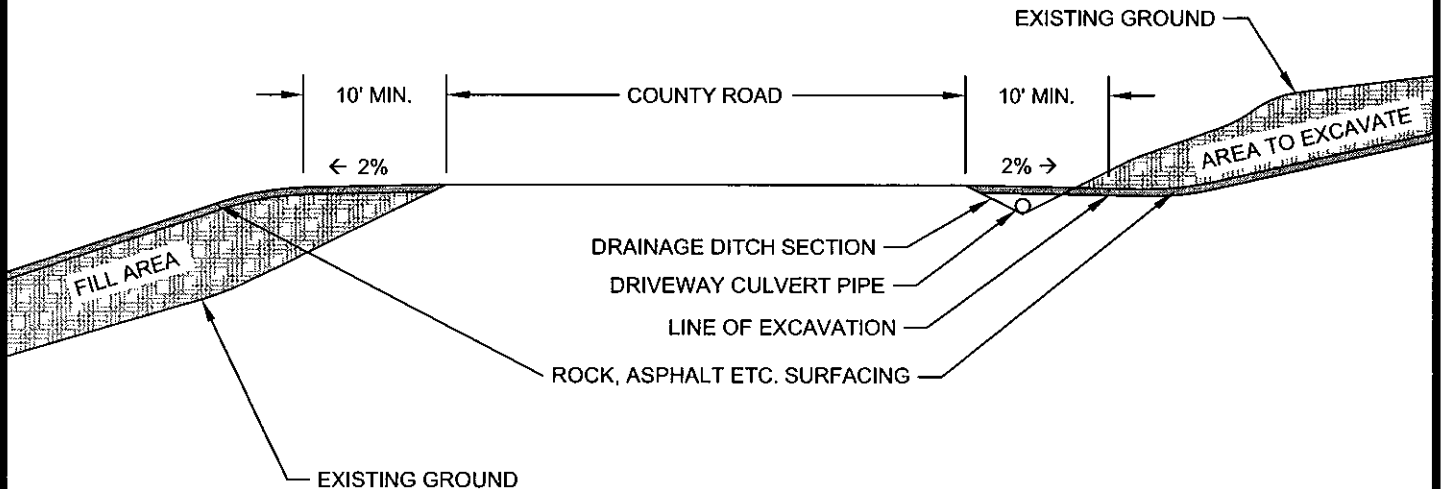


L = LENGTH OF CULVERT
 D = DEPTH (DRIVEWAY SURFACE TO BOTTOM OF PIPE)
 W = WIDTH OF DRIVEWAY

NOTES:

1. Use only new culvert pipe, 12" Min. Dia., 24' min. length, or as specified by County.
2. Culvert to be placed along roadside ditch alignment, matching ditch elevations at ends of pipe.
3. Acceptable types of culvert pipes are:
 - a. Corrugated Galvanized Steel - 16 gauge
 - b. Corrugated Aluminum - 16 gauge
 - c. High Density Polyethylene (HDPE) - double wall, smooth interior
 - d. Other materials as approved by the County Engineer

DRIVEWAY GRADES



RGL
 DESIGNED BY
SMK 4/22/10
 DRAWN BY

 APPROVED BY

 DATE

DRIVEWAY APPROACH DETAIL

N T S



DEPARTMENT
 OF PUBLIC
 WORKS
 1600 - 13TH AVENUE SOUTH
 KELSO, WASHINGTON
 98626
DRAWING:CC-1320

SHEET
1
 OF
1