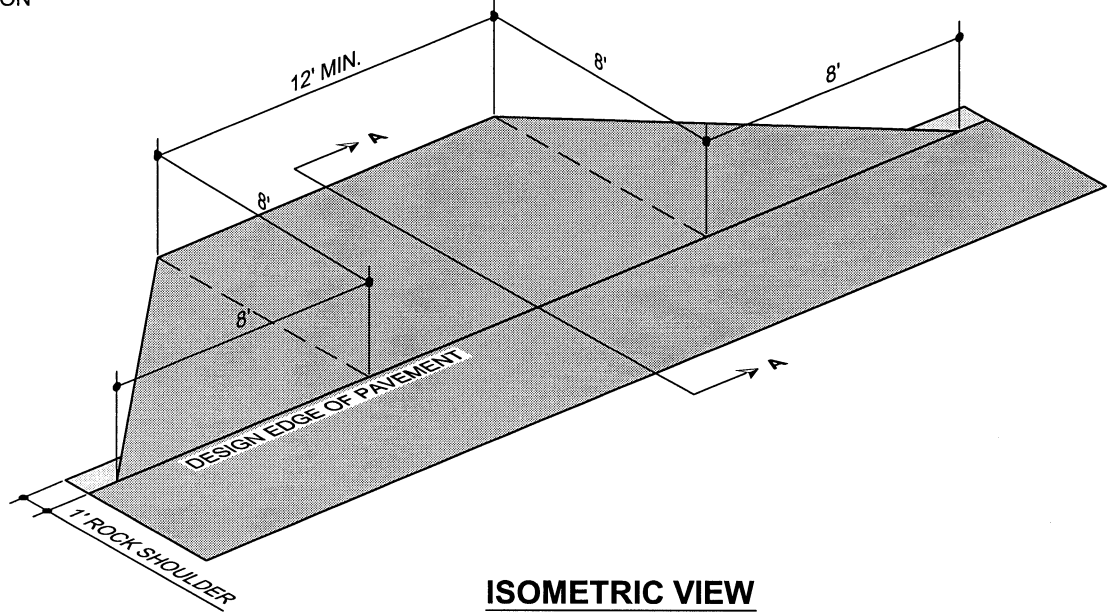
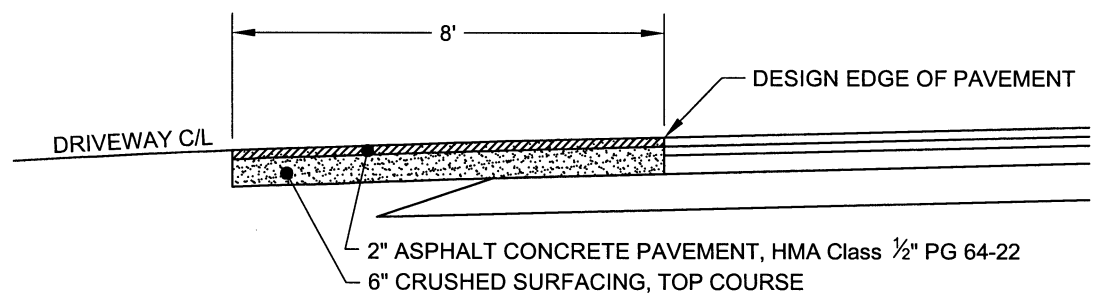


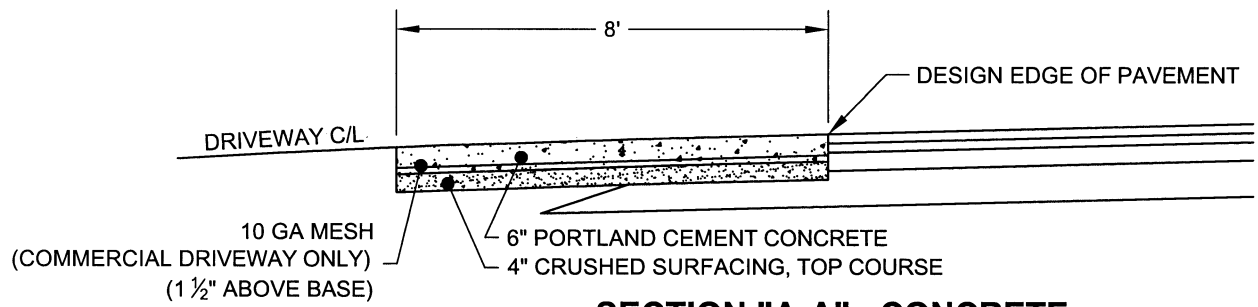
ALL WORK SHALL BE ACCOMPLISHED IN ACCORDANCE WITH THE LATEST EDITION OF THE WSDOT STANDARD SPECIFICATIONS FOR ROAD, BRIDGE, AND MUNICIPAL CONSTRUCTION



**ISOMETRIC VIEW**



**SECTION "A-A" - ASPHALT**



**SECTION "A-A" - CONCRETE**

**NOTES:**

1. Concrete shall have a minimum compressive strength of 3000 p.s.i. after 28 days - 6 sack mix.

<p>RGL DESIGNED BY JMC 3/6/07 DRAWN BY KAC APPROVED BY 3-21-07 DATE</p>	<p><b>STANDARD APPROACH</b></p>		<p>DEPARTMENT OF PUBLIC WORKS 207 4th AV. NORTH KELSO, WASHINGTON 98626</p>	<p>SHEET 1 OF 1</p>
<p>ASPHALT OR CONCRETE APRON N T S</p>		<p><b>DRAWING:CC-1317</b></p>		