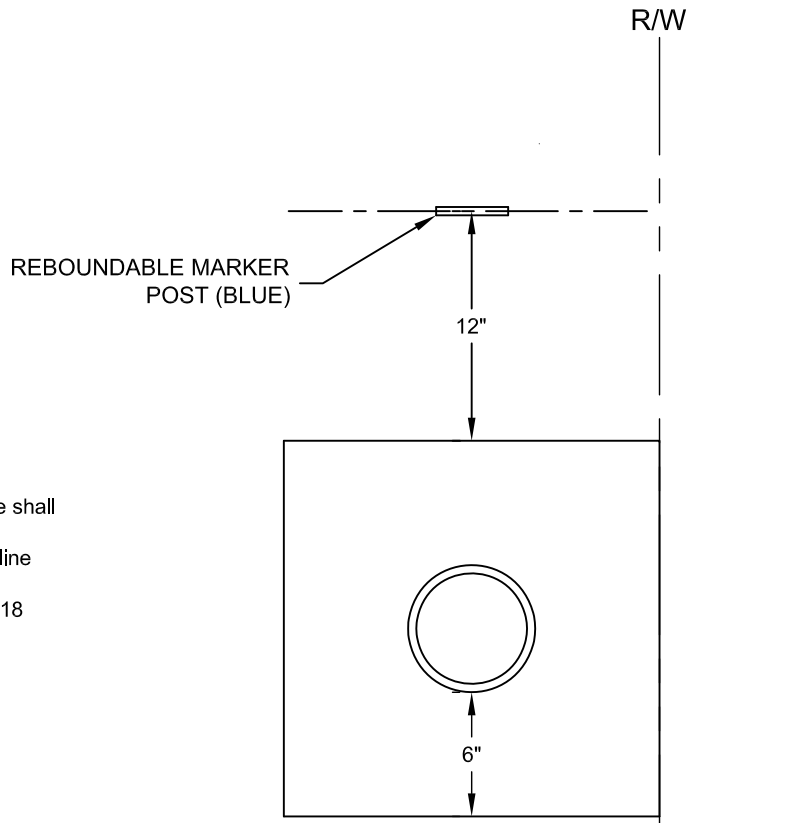


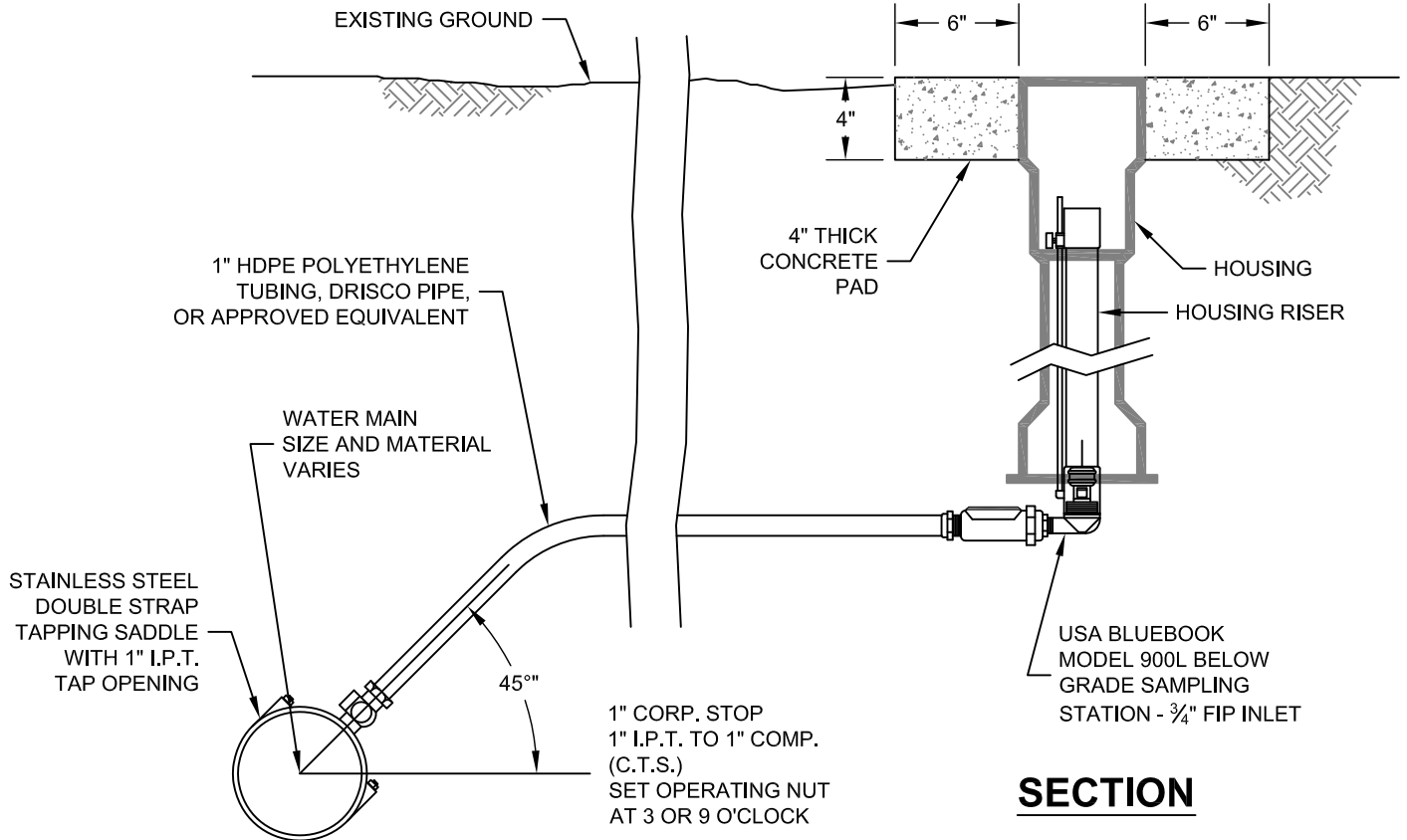
ALL WORK SHALL BE ACCOMPLISHED IN ACCORDANCE WITH THE LATEST EDITION OF THE WSDOT STANDARD SPECIFICATIONS FOR ROAD, BRIDGE, AND MUNICIPAL CONSTRUCTION

NOTES:

1. Valve Marker to be in general conformance with WSDOT Specification 9-17.
2. County approved locate wire and/or detectable marking tape shall be installed over non-metallic lines as directed by Utilities Manager. Place tape approximately 1 foot above top of the line for it's full length. Detectable marking tape shall meet the requirements of WSDOT Stand specifications, Section 9-15.18



PLAN



SECTION

KMC
 DESIGNED BY
JMC 2/16/06
 DRAWN BY
BAB
 APPROVED BY
4/30/12
 DATE

SAMPLING STATION

N T S



DEPARTMENT OF PUBLIC WORKS
 1600-13TH AVENUE SOUTH
 KELSO, WASHINGTON 98626
DRAWING:CC-1906

SHEET
1
 OF
1